

# **IF IT ROLLS..... WE CAN MOVE IT!®**



**Pedestrian Operated**

**Battery Powered**

**Robust Steel Construction**

**Smooth Variable Speed Control**

**Rugged All Terrain Tyres**

**Wide Range of Attachments**

**Over 23,000 Units Sold to Date**

**PUSH / PULL CAPACITY.....from 500Kgs up to 40,000 Kgs**



## **POWER PUSHER®**

**Nu-Star Material Handling Ltd.  
Unit C, Ednaston Business Centre  
Ednaston  
Derbyshire DE6 3AE**

**Tel: +44 (0) 870 443 5646  
Fax: +44 (0) 870 443 5647  
Email: [enquiries@nu-starmhl.com](mailto:enquiries@nu-starmhl.com)  
Web: [www.nu-starmhl.com](http://www.nu-starmhl.com)**

# POWER PUSHER®

Benefits	Features	Accessories
Significant Productivity gains - either through a reduction in man power required to move loads, and/or increased speed of moving loads.	Electrically powered with on-board charger, safety horn and hand guards.	Foam filled tyres for heavy duty applications. Snow chains, non-marking rubber tyres, solid polyurethane wheels.
Assists with compliance of Health & Safety guidelines which limit the manual pushing / pulling performed by one person.	Fully programmable control system enabling speed and acceleration / deceleration characteristics to be set according to load and environment.	Safety pack (strobe and motion bleeper) for factory environments.
Fingertip control and compact size make the unit easy to manoeuvre.	Automatic braking and emergency reverse.	External battery jump start kit.
Transaxle design allows the unit to operate on uneven surfaces, indoors or outdoors.	Pneumatic tyres and free wheel hubs.	Wide range of standard and bespoke attachments enabling connection to your load

## TECHNICAL SPECIFICATION

**Motor type..... 24 Volt D.C.**

**Drive mechanism.....2 x Chain & Sprocket**

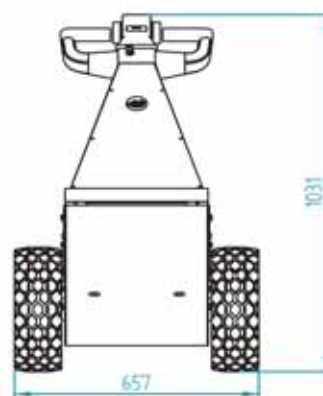
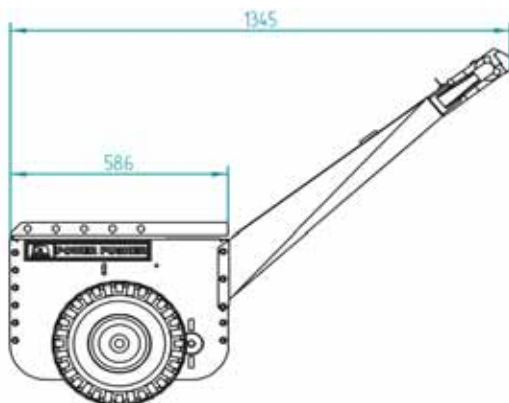
**Gearbox.....Single speed reduction gearbox, with differential**

**Controller.....Fully programmable, with diagnostic facility**

**Batteries..... 2 x 60 Amp/Hour Dryfit, Gel type. Sealed & Maintenance Free**

**Battery charger..... On-Board, 3 stage, 2 x 10 Amp circuits**

**Push/Pull Capacity.....Up to 40,000Kgs (Subject to rolling resistance of load)**



**Nu-Star Material Handling Ltd**

A member of the NuStar Inc. Group of Companies

**Tel:**

**Fax:**

**Email:**

**Web:**

**+44 (0) 870 443 5646**

**+44 (0) 870 443 5647**

**enquiries@nu-starmhl.com**

**www.nu-starmhl.com**